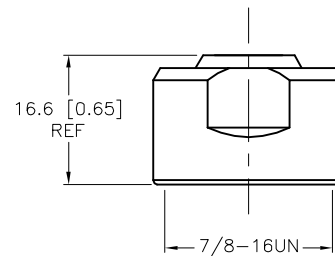
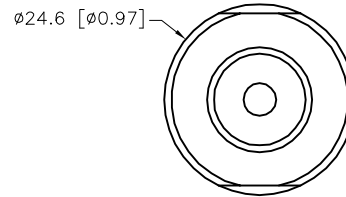

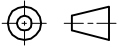


SPECIFICATIONS

CAP MATERIAL/FINISH	316 STAINLESS STEEL/PASSIVATED
GASKET MATERIAL	NITRILE



SOURCE DRAWING - FOR REFERENCE ONLY

RELATED DOCUMENTS		3RD ANGLE PROJECTION	THIS DRAWING IS CONFIDENTIAL AND THE PROPERTY OF TURCK INC. USE OF THIS DOCUMENT WITHOUT WRITTEN PERMISSION IS PROHIBITED.		 3000 CAMPUS DRIVE MINNEAPOLIS, MN 55441 1-800-544-7769 (763) 553-7300 (763) 553-0708 fax www.turck.us	
1.			DRFT	JB	DATE	02/27/02
2.			APVD		SCALE	1=1.0
3.		ALL DIMENSIONS DISPLAYED ON THIS DRAWING ARE FOR REFERENCE ONLY	UNIT OF MEASUREMENT		DESCRIPTION	
4.			MILLIMETER [INCH]		RKMV-BC	
MATERIAL		CONTACT TURCK FOR MORE INFORMATION	DO NOT SCALE THIS DRAWING		IDENTIFICATION NO.	
SEE SPECIFICATIONS					U8648	
FINISH				REV		
SEE SPECIFICATIONS				C		
C	REMOVE SCREW	TR	04/28/23	500000008172	FILE: U8648	
REV	DESCRIPTION	BY	DATE	ECO NO.	SHEET 1 OF 1	

C	REMOVE SCREW	TR	04/28/23	500000008172
REV	DESCRIPTION	BY	DATE	ECO NO.